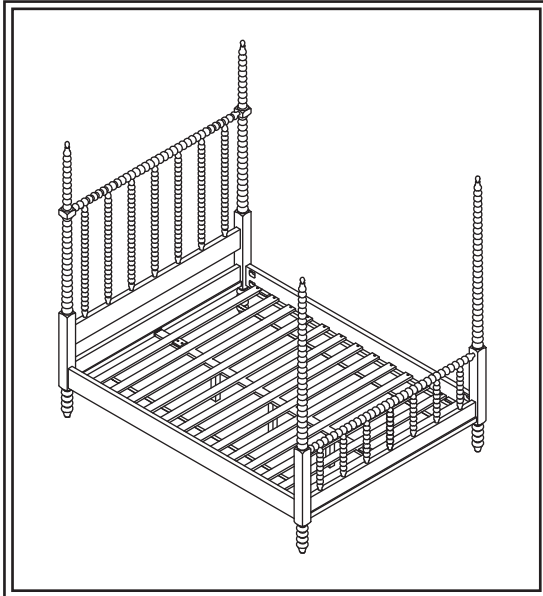

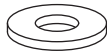






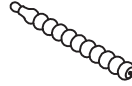
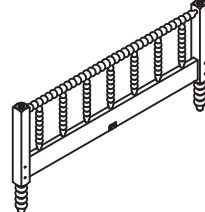


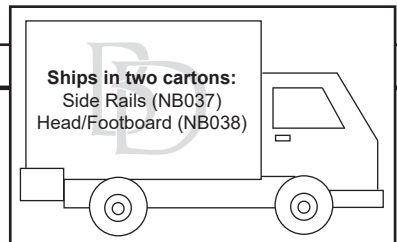
PRODUCT NAME: Dover Bed (Queen and Full)
ITEM NUMBER: NB039 (NB037/NB038)
ASSEMBLED DIMENSIONS : Q: 85"H x 65.75"W x 87"L
F: 85"H x 59.6"W x 82"L

REQUIRED TOOLS:
Phillips Screwdriver, Wrench (included)
ASSEMBLY TIME: 20 - 25 minutes



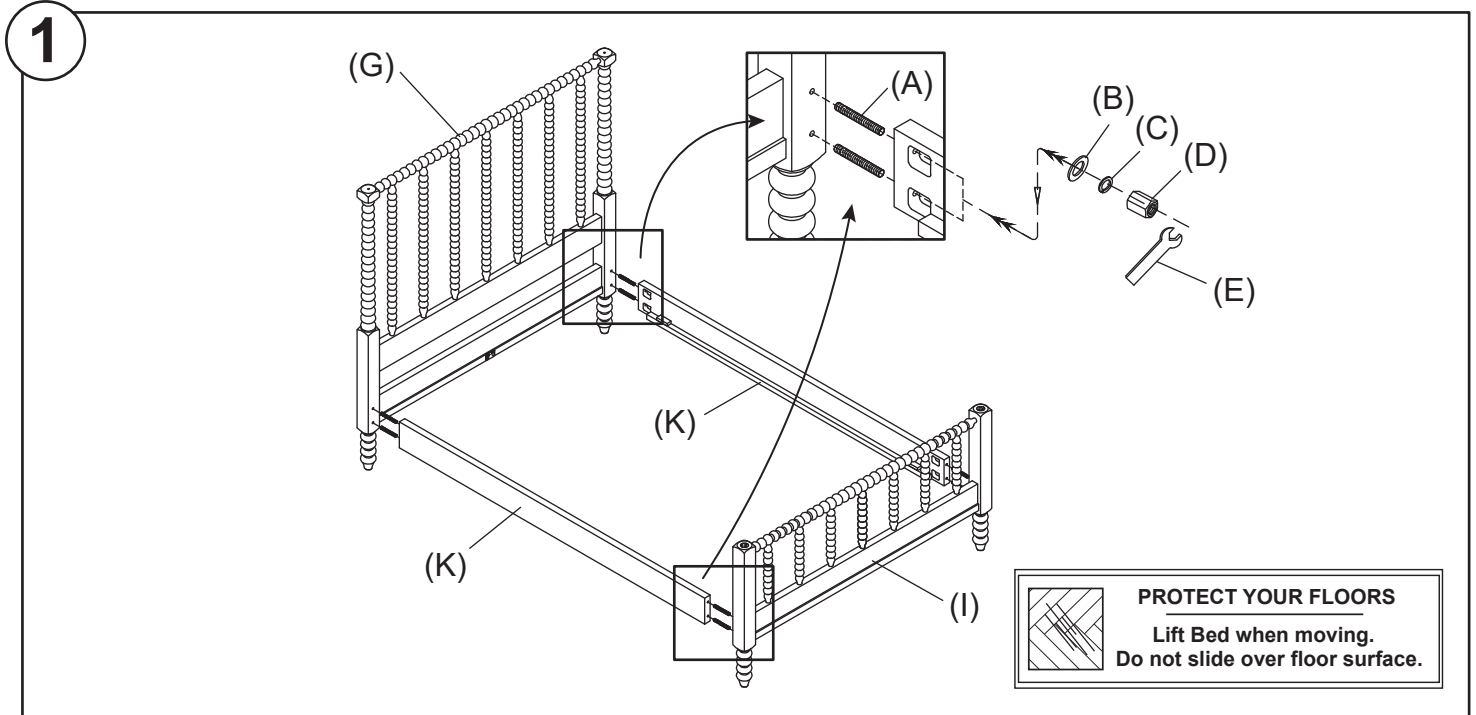
Ltr.	Qty.	Hardware Included	
A	8		Threaded Studs (5/16 x 3.5")
B	8		Flat Washers (5/16)
C	8		Lock Washers (5/16)
D	8		Nuts (5/16)
E	1		Wrench (5/16)
F	26		Wood Screws (#4 x 1")

Ltr.	Qty.	Components Included	
G	1	Headboard (G)	
H	2	HB Posts (H)	Footboard (I)
I	1		
J	2		FB Posts (J)
K	2	Side Rails (K)	
L	1	Center Support Rail (L)	
M	1		Slat Roll (M)
N	3		Support Legs (N)



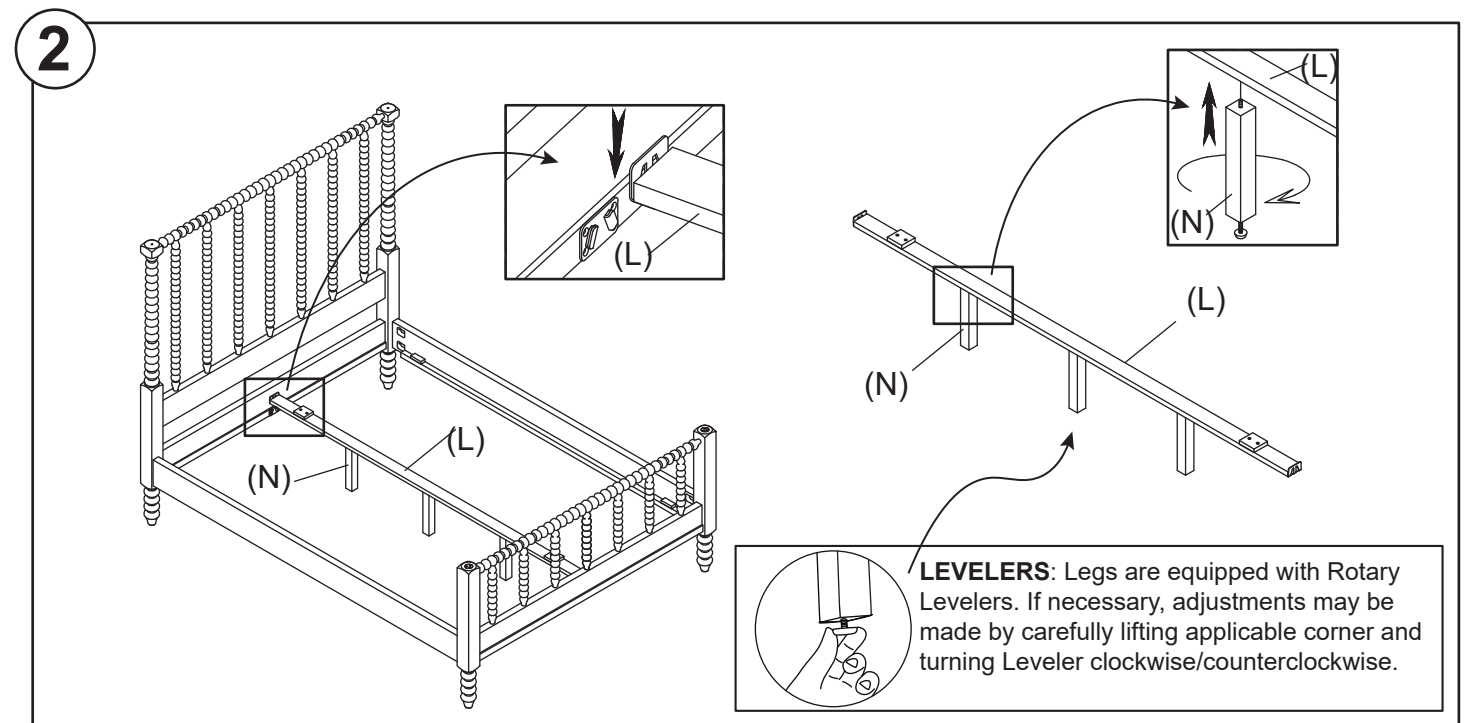
▲ Assemble in location for intended use.

STEP 1: ATTACH SIDE RAILS (K). Orient components as illustrated below. Insert Threaded Studs (A) into embedded T-nuts in both Headboard (G) and Footboard (I). Fit holes in Side Rails (K) over Studs. Add Flat Washer (B) followed by Lock Washer (C) then Nut (D). Install and loosely tighten ALL NUTS before fully tightening ensuring all remaining hardware may be easily installed.



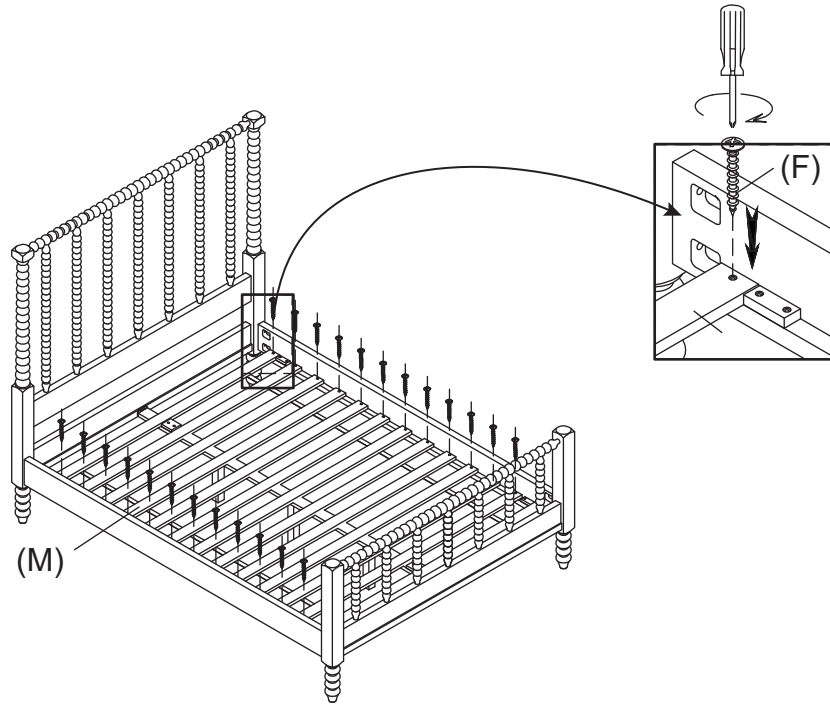
STEP 2: BUILD AND ATTACH CENTER SUPPORT RAIL (L). First, attach Support Legs (N) to Center Rail (L) by inserting threaded stud on Leg into embedded T-nut in Rail. Turn and tighten. Next, carefully set Center Rail (L) into place by aligning and locking ends as illustrated below.

NOTE: Each Leg equipped with a ROTARY LEVELER. Turn clockwise/counterclockwise to adjust.



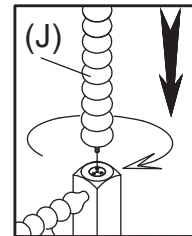
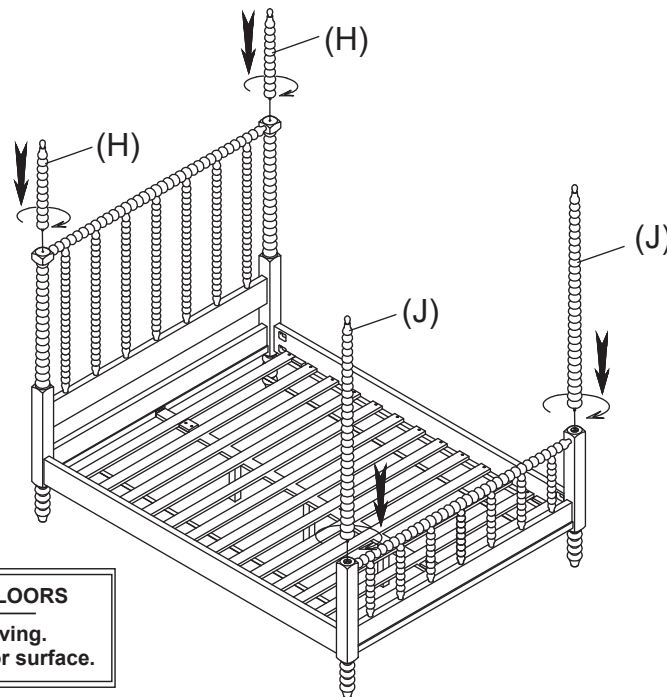
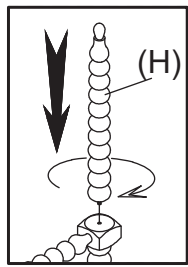
STEP 5: INSTALL SLAT ROLL (M): Place Slat Roll (M) into frame and careful unroll. Be certain Slats are oriented upward as illustrated below. Secure at each end with Wood Screws (F).

3



STEP 4: INSTALL HB POSTS (H) AND FB POSTS (J): Insert threaded end of HB Post (H) into holes in top ends of Headboard (G). Repeat process for installing FB Posts (J) into Footboard (I). Turn and tighten. **NOTE: DO NOT OVER TIGHTEN!**

4



PROTECT YOUR FLOORS
Lift Bed when moving.
Do not slide over floor surface.



Cleaning and Care

Periodically dust with a soft, dry cloth.
Protect surfaces to prevent damage.
Do not use alcohol based cleaners or polishers.



Customer Service: 800-367-2810
Online: www.ballarddesigns.com